

---

# TIGERFLOW OCELOT BOOSTER

---

[www.tigerflow.com](http://www.tigerflow.com)

---



## • APPLICATIONS



Schools



Hotels



Apartment  
Buildings



Agricultural  
Irrigation



Residential  
Homes



**TIGERFLOW®**



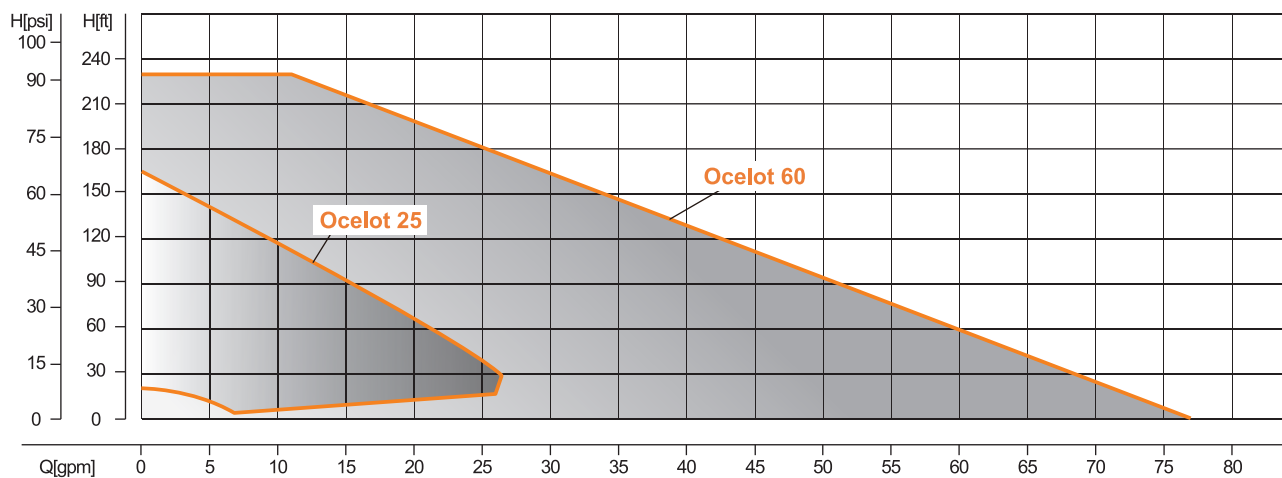
# OCELOT BOOSTER

## • STANDARD FEATURES

- Permanent magnet motor with integrated VFD
- Adjustable pressure setpoint through easy-to-use interface
- Standard self-priming of 9ft, up to 25ft based on installation conditions
- AISI 304 SS pump body
- Built-in expansion tank for leak loads
- Excellent for residential or light commercial applications
- Light weight and easy to move
- Built-in check valves on suction and discharge
- TEFC Motor
- IPX-6 Cover, Outdoor Rated. Pump protected against high pressure water stream from any angle.
- UL Listed, NSF-61 / NSF-372

## • PERFORMANCE TABLE

Model	Power	Flow. Max	Head. Max	Rated Flow	Rated Head	Port Size	Lift. Max
	hp	gpm	ft	gpm	ft	in	ft
Ocelot 25	1	25	164	20	40	1	9
Ocelot 60	2	70	190	60	60	2	9



## • ELECTRICAL FEATURES

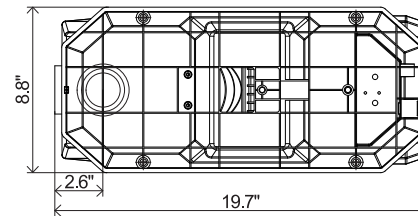
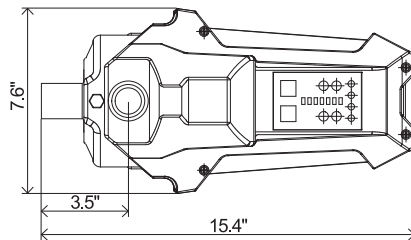
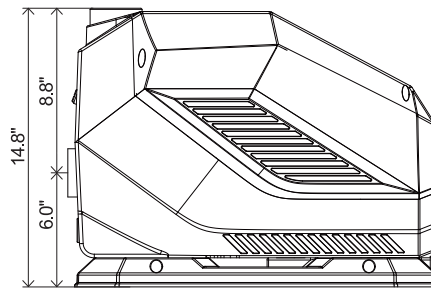
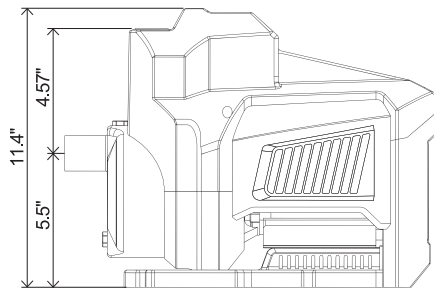
Model	Power Feed Options	Current	Frequency	Ambient Temperature	Media Temperature
Ocelot 25	95~140 VAC	8.5A	50-60Hz	0-167°F	0-104°F
Ocelot 60	165~260 VAC	7.5A	50-60Hz	0-167°F	0-104°F



# OCELOT BOOSTER

## • SIZE AND WEIGHT

Model	Inlet	Outlet	Size	Weight
Ocelot 25	NPT 1"	NPT 1"	15.4"x7.6"x11.4"	17.6 lbs
Ocelot 60	NPT 2"	NPT 2"	19.7"x8.8"x14.8"	53 lbs



Ocelot 25

Ocelot 60

## • PRODUCT DISPLAY

**TIGERFLOW**

**Model: Ocelot 25**

VARIABLE SPEED OPERATION PROVIDES UP TO 50% ENERGY SAVINGS

**20** GPM    **40** FT    **1** HP

Voltage: 120V 1Phase    Amps: 8.5A  
 Max. Boost: 160'    Max. Flow: 25GPM  
 Water Temp: 104°F    Ambient Temp: 167°F  
 Max Suction Lift: 9'    System Connection: 1" NPT

**TIGERFLOW**

**Model: Ocelot 60**

VARIABLE SPEED OPERATION PROVIDES UP TO 50% ENERGY SAVINGS

**60** GPM    **60** FT    **2** HP

Voltage: 230V 1Phase    Amps: 7.5A  
 Max. Boost: 230'    Max. Flow: 70GPM  
 Water Temp: 104°F    Ambient Temp: 167°F  
 Max Suction Lift: 9'    System Connection: 2" NPT



# OCELOT BOOSTER

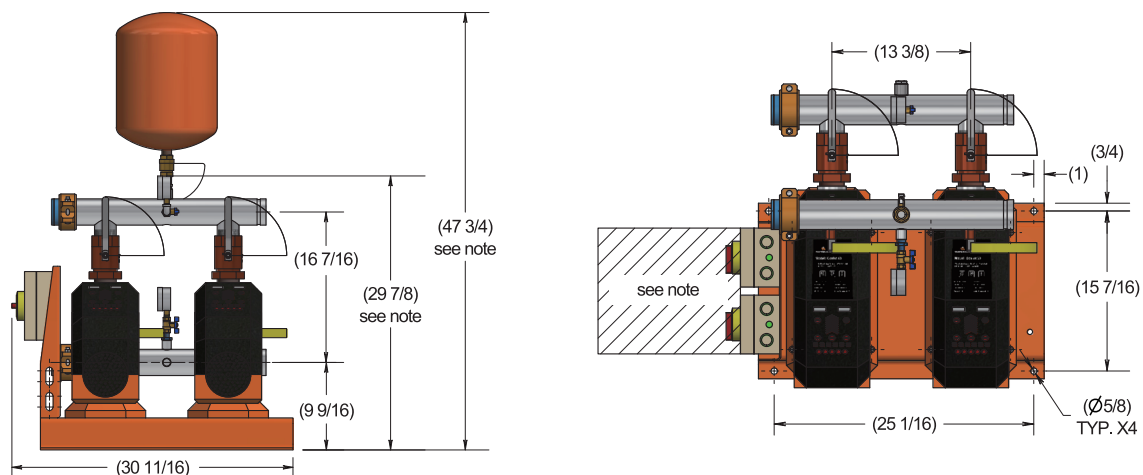
## • STANDARD FEATURES

- Lead-lag automatic operation
- Constant speed control with variable speed
- Automatic alternation
- Excellent for multi-family and other light commercial applications
- 304 Stainless steel piping
- Individual pump isolation valves
- 2.5" Grooved connections

## • OPTIONS

- Bladder tank
- Pressure gauges
- Threaded and flanged connections
- Single phase power
- Three phase power

## • DUPLEX BOOSTER DIMENSIONS



Note: Allow for for working space clearance per NEC.

## • PERFORMANCE TABLE

Model	Power	Flow. Max	Head. Max	Rated Flow	Rated Head	Port Size	Lift Max
Ocelot Duplex	4HP	140	230	120	60	2.5"	9

## • ELECTRICAL FEATURES

Model	Power feed	Current	Freq	Amb Tem	Media Temp
Ocelot Duplex	165-260V	30A*	50-60Hz	0-167°F	0-104°F

\*If using single-point power feed, otherwise refer to individual pump FLA.